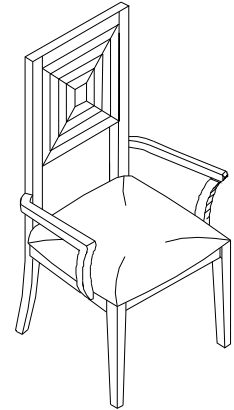


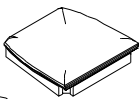

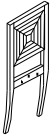

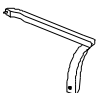









Warning :

- Be sure to check all packing material carefully for small parts, which may have come loose inside the carton during shipment.
- To prevent possible scratches and damage, this furniture must be assembled on a soft surface such as a blanket or carpet.

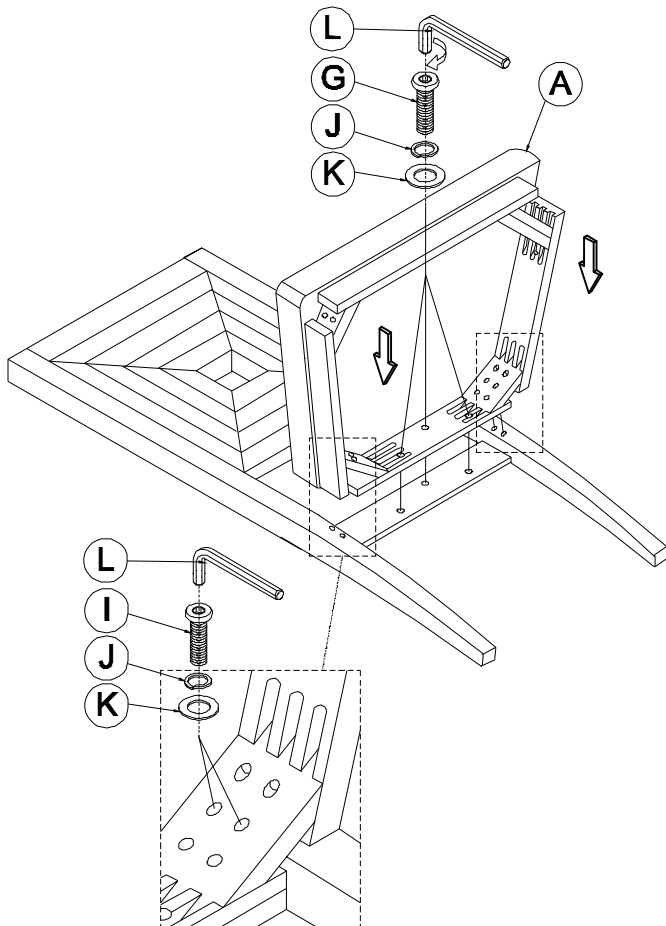


73458
UPH WOOD-BK ARM CHAIR 2IN

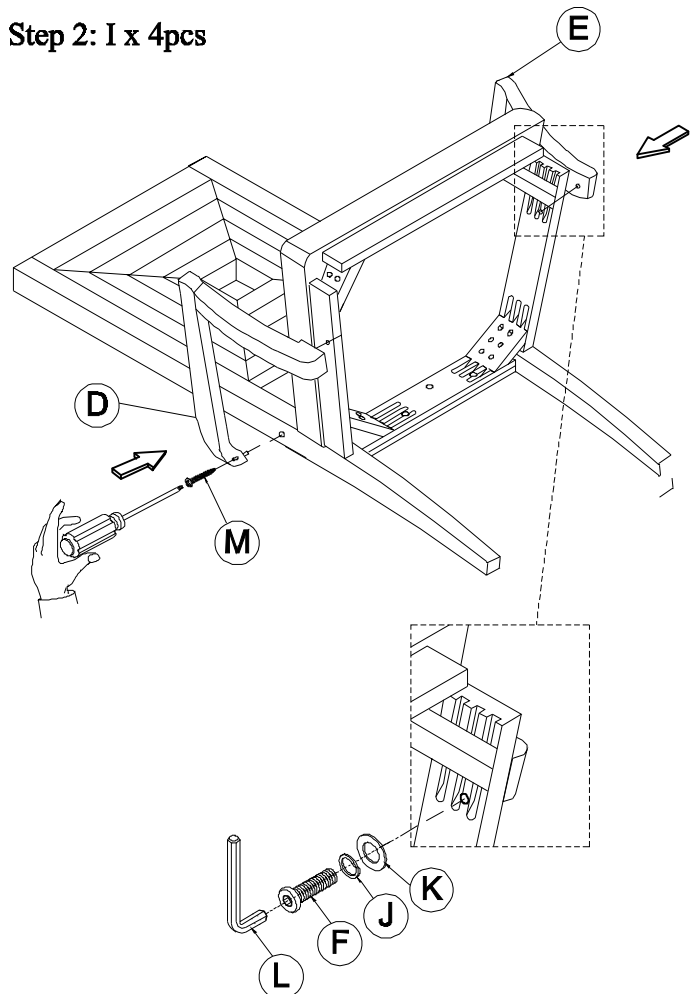
Components and Hardware List

Seat Cushion	Front Leg	Chair Back	Arm Chair (Left)	Arm Chair (Right)			
 A 1 pc.	 B 2 pcs.	 C 1 pc.	 D 1 pc.	 E 1 pc.			
F Allen Head Bolt 5/16"-18 x 1-1/2"  2 pcs.	G Allen Head Bolt 5/16"-18 x 1-3/4"  3 pcs.	H Allen Head Bolt 5/16"-18 x 2"  4 pcs.	I Allen Head Bolt 5/16"-18 x 3-1/4"  4 pcs.	J Spring Washer 5/16" x12 x 3mm  13 pcs.	K Flat Washer 5/16" x 19 x 2mm  13 pcs.	L Allen Key 5mm  1 pc.	
M Wood Screw #8 x 1-1/2"  2 pcs.	Tool Required (Not provided) Phillips Screwdriver 						

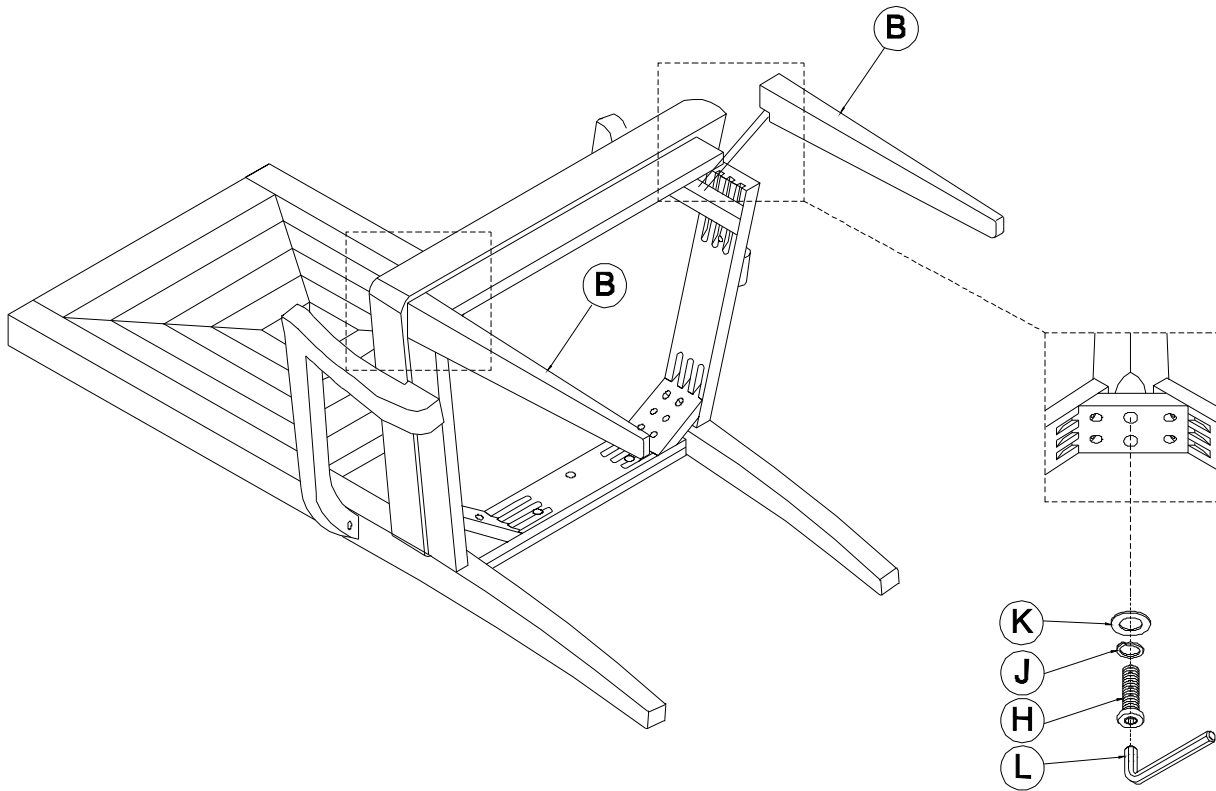
STEP 1: Do not fully tighten the bolts



Step 2: I x 4pcs



STEP 3: Using the Allen Key to tighten all bolts



Complete

